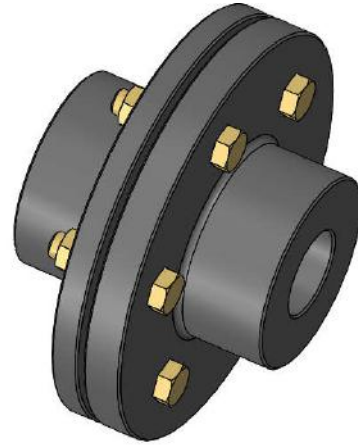
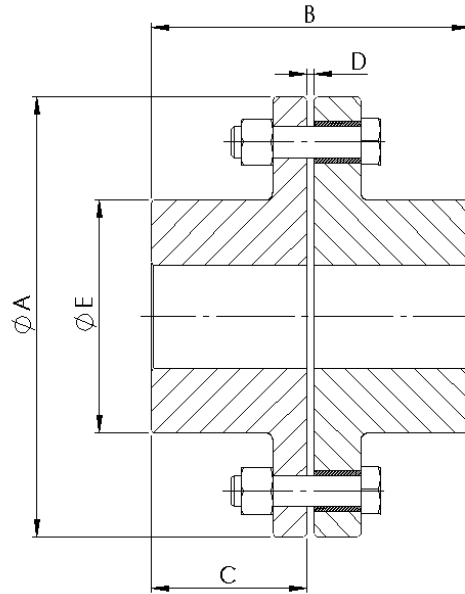


PIN BUSH COUPLINGS

EBC- SERIES



Size	No. of Pins	Torque Nm	Min Bore (mm)	Max Bore (mm)	Max Speed rev/min	A	B	C	D	E
EBC1	3	77	12.7	30	6100	95	79	38	3	44
EBC2	4	310	12.7	35	5100	114	99	48	3	51
EBC2A	6	516	16	45	4400	130	105	51	3	67
EBC3	4	621	16	50	3600	160	107	51	5	75
EBC4	4	831	20	70	3000	191	125	60	5	105
EBC4A	6	1241								
EBC5	6	1662	25	80	2600	225	157	76	5	105
EBC6	8	2359	45	100	2300	254	183	89	5	140
EBC6A	10	2932								
EBC6B	12	3533								
EBC7	12	4154	55	120	1950	290	235	115	5	175
EBC7A	14	5195	55	125	1900	300	235	115	5	185
EBC8	16	5816	60	135	1850	310	255	125	5	200
EBC8A	18	7268	60	138	1650	340	265	130	5	205
EBC8B	12	8729	65	142	1590	360	276	135	6	210
EBC9	13	9932	70	152	1470	390	316	155	6	225
EBC9A	15	13274	80	162	1400	410	336	165	6	240
EBC10	16	14420	90	175	1300	440	368	180	6	255
EBC10A	17	18050	100	185	1200	480	386	190	6	270
EBC11	20	23780	110	195	1080	530	406	200	6	285

- All dimensions are in Millimeters.
- Compact design; low weights and mass moments of inertia.
- Maintenance-free.
- Highly developed rubber compounds are used in Bushes to absorb Shock loads, torsional Vibrations and misalignment.